

SFP+ PASSIVE COPPER CABLE ASSEMBLIES

OVERVIEW

ConnPro High Speed SFP+ Direct Attach Copper Cable Assemblies are designed for data centers, networking and HPC (High Performance Computing) applications. Conforming to MSA SFF-8431, ConnPro High Speed provides high quality and cost effective solution to the high-density network switching cross-connections of your data centers.

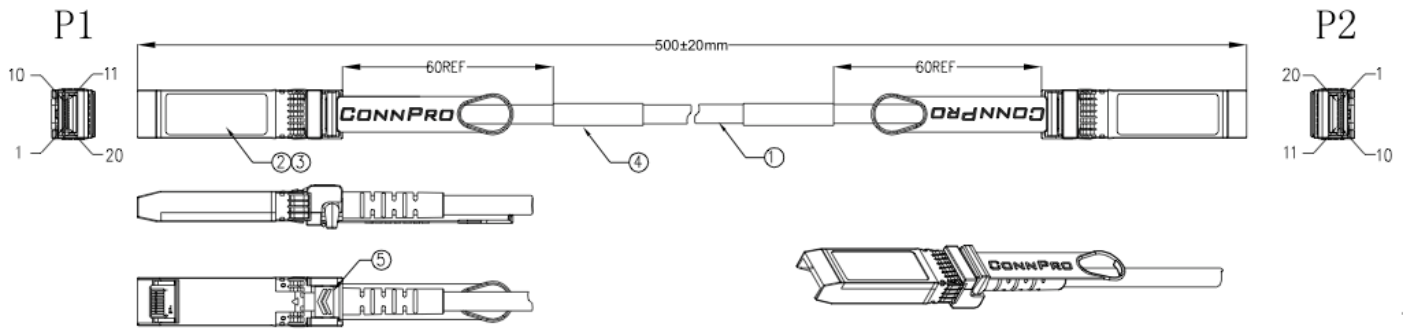
FEATURES

- SFF-8431 SFP+ interface compliant product
- Fully Compliant to SFP+ EEPROM for signature and system communications
- Broadband Twin coaxial pairs support serial data rate up to 12Gbps
- Enhanced EMI prevention by EMI skirt & die-cast cover
- Low power consumption, Low transmission latency, Low cross-talk & Low skew
- Pull to release latch enable a easy cable installation and hot plug
- S/R design ensures a reliable performance when cable is bended
- RoHS compliant, 100% factory independently tested, anti-static package
- Highly cost-effective alternative to optical interface in short reach

APPLICATIONS

- Network data transmission: Servers, Switches, Routers & Hubs
- Network or External storage systems for data center
- Network interface cards (NIC's) & Telecommunication equipments
- 10 Gigabit Ethernet and Gigabit Ethernet
- Fiber Channel over Ethernet
- InfiniBand Standards SDR, DDR, QDR

CABLE ASSEMBLY SPECIFICATIONS



* Unit: mm

DESCRIPTIONS

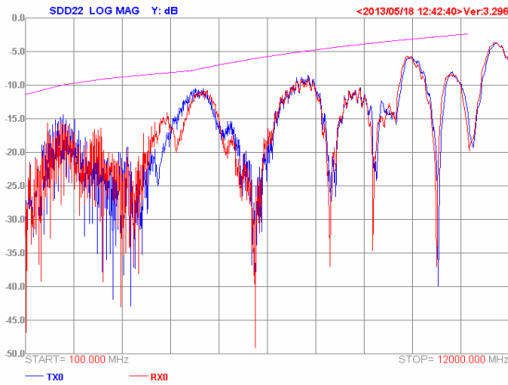
Cable	2 Pairs twin coaxial cable, 100ohm , PVC Black , UL Approved
Shell	Zinc Diecast with Ni Plated
PCB	FR4, 30uinch Au plated contact pads
EEPROM	2-wire serial I2C interface
Operating Temperature	0°C ~ 70°C
Operating Voltage	3.3 V
Retention Force	90N Max
Durability	50 cycle Min
Available Length	1, 2, 3, 4, 5, 6, 7 Meter

PART NUMBERS

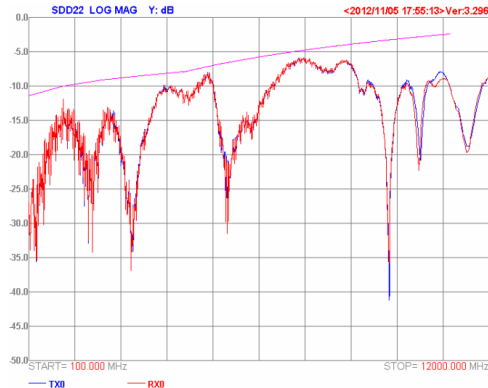
RE2F2TF2T1001	SFP+ Passive cable assembly ,L = 1000 ± 30 mm
RE2F2TF2T2001	SFP+ Passive cable assembly ,L = 2000 ± 40 mm
RE2F2TF2T3001	SFP+ Passive cable assembly ,L = 3000 ± 50 mm
RE2F2TF2T4001	SFP+ Passive cable assembly ,L = 4000 ± 60 mm
RE2F2TF2T5001	SFP+ Passive cable assembly ,L = 5000 ± 70 mm
RE2F2TF2T6001	SFP+ Passive cable assembly ,L = 6000 ± 80 mm
RE2F2TF2T7001	SFP+ Passive cable assembly ,L = 7000 ± 90 mm

ELECTRICAL SPECIFICATIONS

- Differential Impedance: 100 ohm
- Differential Mode Return Loss (SDD22)

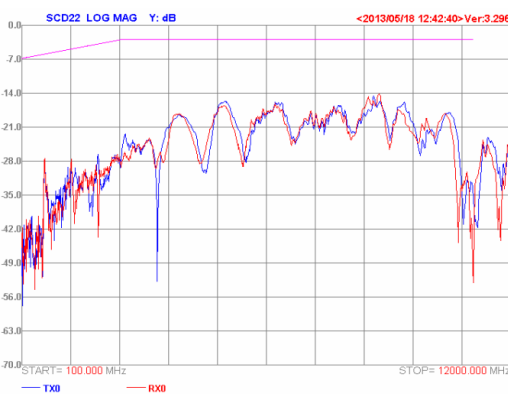


3 Meter-28AWG



5 Meter - 26AWG

- Common Mode Return Loss (SCC22)



3 Meter-28AWG



5 Meter - 26AWG

Length SPEC	Wire (AWG)	AC Vcm (mV)	VMA Loss (dBe)	VCR (dB)	dWDPC (dB)
	--	13.5 Max	4.4 Max	32.5 Min	6.75 MAX
1 Meter	28	11.53	2.68	33.97	1.297
2 Meter	28	8.87	3.21	34.12	1.886
3 Meter	28	5.78	3.24	34.12	2.357
4 Meter	26	7.54	2.78	33.21	2.573
5 Meter	26	4.98	3.30	33.47	3.054