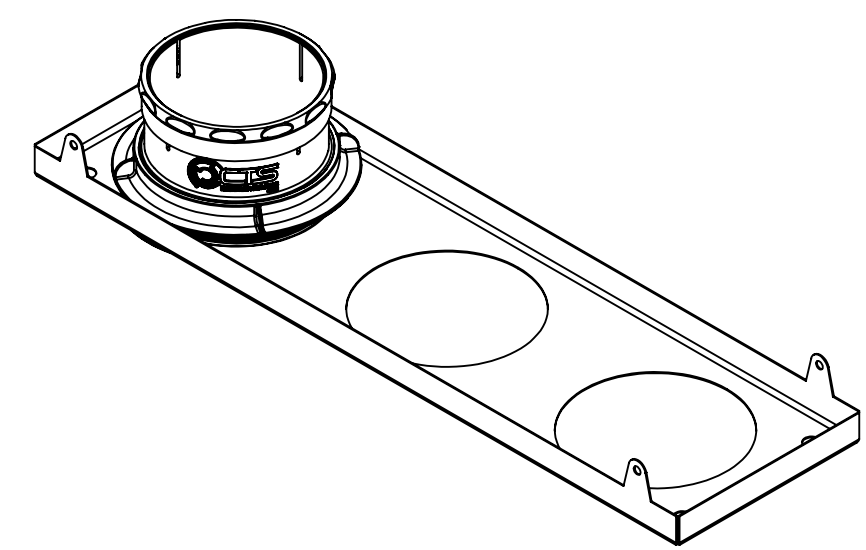
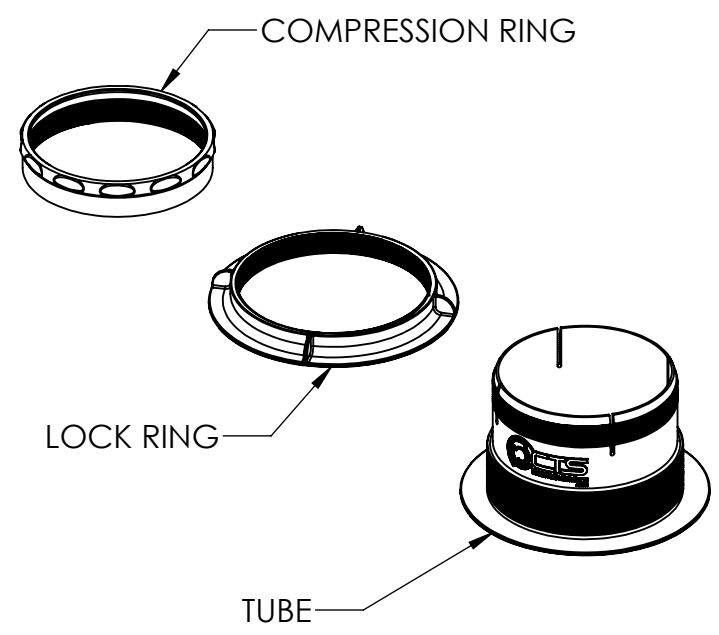
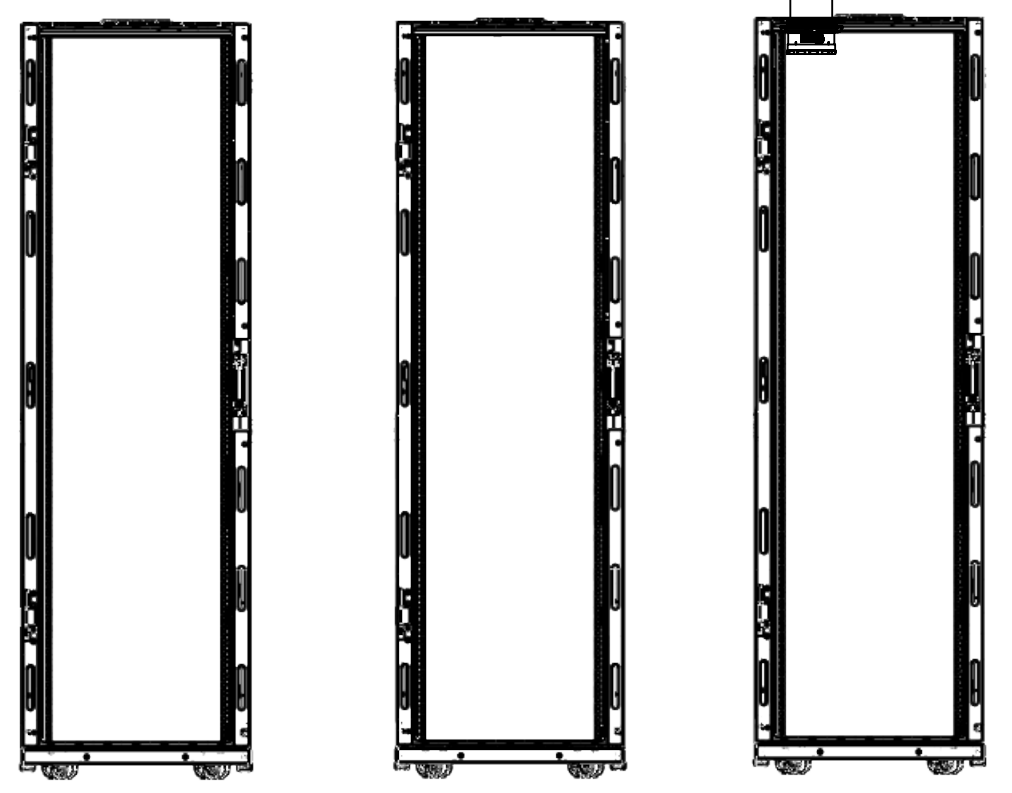
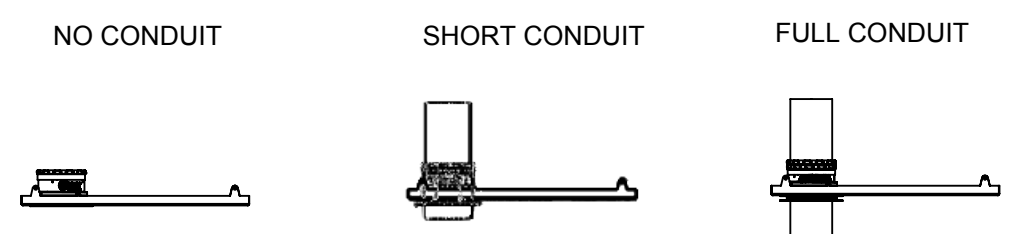
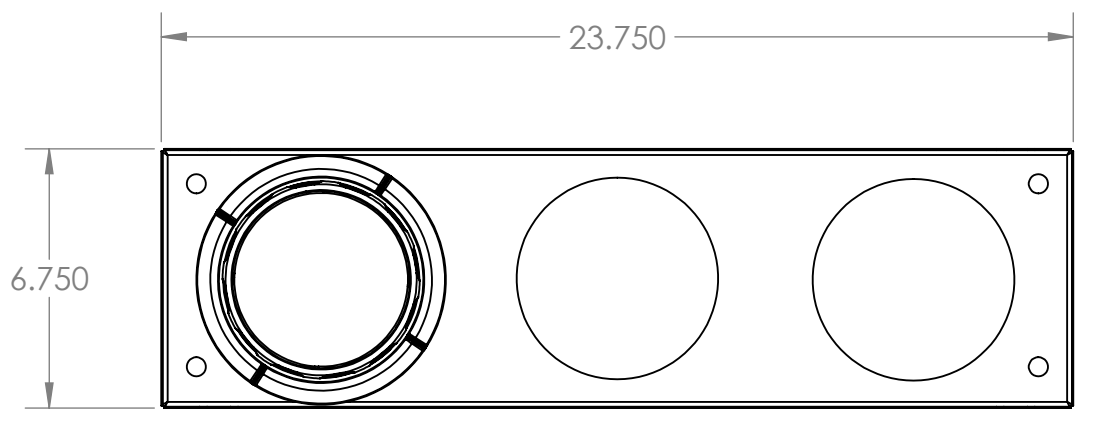
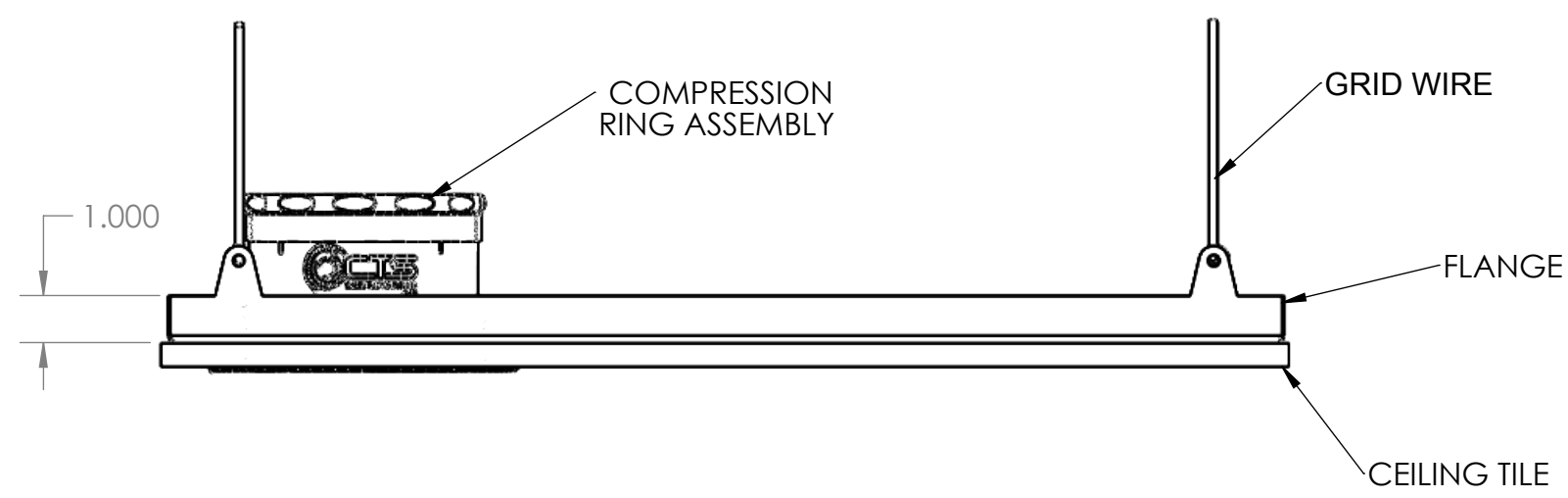


8 7 6 5 4 3 2 1

D
C
B
A

D
C
B
A



PROPRIETARY AND CONFIDENTIAL
THE INFORMATION CONTAINED IN THIS DRAWING IS THE SOLE PROPERTY OF CTS, INC. ANY REPRODUCTION IN PART OR AS A WHOLE WITHOUT THE WRITTEN PERMISSION OF CTS, INC. IS PROHIBITED.

		UNLESS OTHERWISE SPECIFIED:		NAME	DATE
		DIMENSIONS ARE IN INCHES		DRAWN	HEATH 6/15/2016
		TOLERANCES:		CHECKED	
		FRACTIONAL $\pm 1/16$ in		ENG APPR.	
		ANGULAR: MACH \pm BEND ± 1 deg		MFG APPR.	
		TWO PLACE DECIMAL $\pm .01$		Q.A.	
		THREE PLACE DECIMAL $\pm .002$		COMMENTS:	
		INTERPRET GEOMETRIC TOLERANCING PER:			
		MATERIAL			
NEXT ASSY	USED ON	FINISH			
APPLICATION		DO NOT SCALE DRAWING			
TITLE: CEILING CABLE PENETRATION SYSTEM					
SIZE B	DWG. NO. CPP-4-H		REV 1		
SCALE: 1:4		WEIGHT:		SHEET 2 OF 2	

8 7 6 5 4 3 2 1